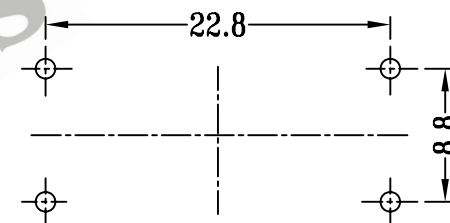
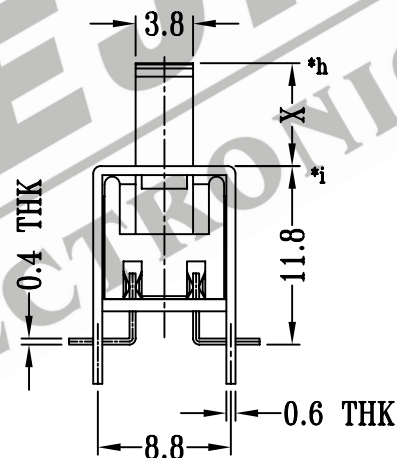
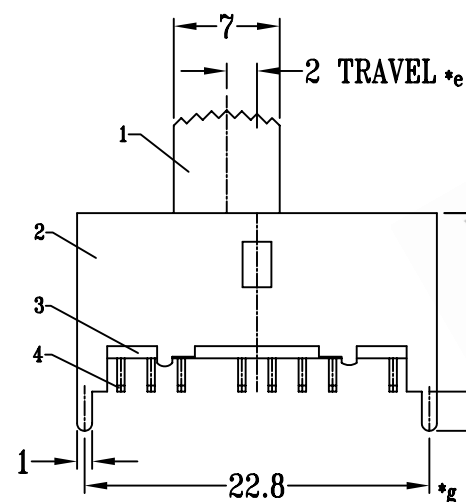
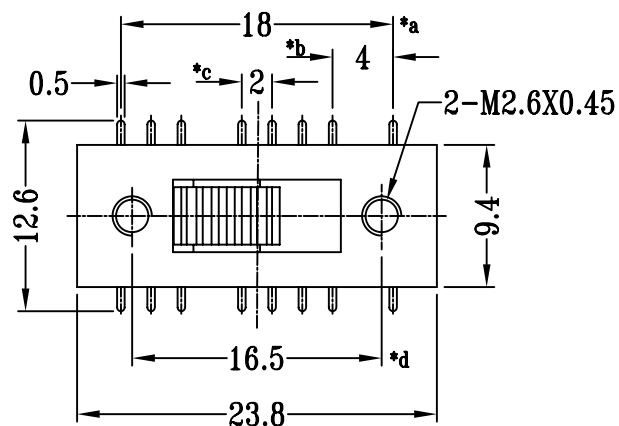


CAD FILE:



SCHEMATIC (SHORTING)

P.C.B LAYOUT

注:带"*"表示关键尺寸(9个)

NO.	PARTS	MATERIALS	Q'TY	FINISH	TOLERANCE UNLESS SPECIFIED	SHENZHEN XIEJIA ELECTRONICS CO.,LTD.				
8						TITLE : VERTICAL SLIDE SWITCH	UNIT : mm	DRWG NO.: XJ-DR-SS43D21-00		
7	STEEL BALL	STEEL	2	NATURAL	WITHIN : 1.5±0.1mm OVER : 1.5±0.2mm			ISSUE	DATE	DESCRIPTIONS OF REVISION
6	SPRING	STEEL WIRE	1	TEMPER		MODEL: SS-43D21	SCALE: 2:1	CHK'D	ZHOUYU	2005-5-21
5	CONTACT CLIP	PBS STRIP	4	Ag PLATED				APPD.	KANGXINAN	2005-5-21
4	TERMINAL	BRASS STRIP	16	Ag PLATED OVER Ni PLATED						
3	BASE	PHENOLIC RESIN	1	NATURAL						
2	FRAME	STEEL STRIP	1	Ni PLATED						
1	KNOB	POM	1	BLACK						
						ALL MATERIALS MUST BE COMPLIANT TO ROHS				